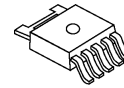
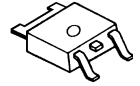


45V I_o=1000mA

- NJW4187 45V ON/OFF A B ON
- TO-252-3 A TO-252-5 B



NJW4187DL3

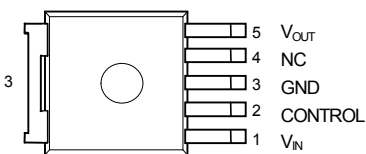


NJW4187DL1

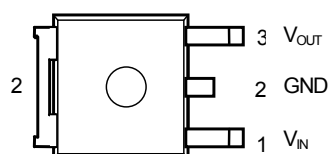
- 4.0V to 40V
- 55μA typ.(A)
- 48μA typ.(B)
- V_O ±1.0%
- I_o(min.)=1000mA
- 2.0V to 15V
- ON/OFF A
-
-
-
- A TO-252-5
- B TO-252-3

		ON/OFF	
NJW4187DL3-xxA	A		TO-252-5
NJW4187DL1-xxB	B	-	TO-252-3

xx= 33=3.3V 05=5.0V



NJW4187DL3-A

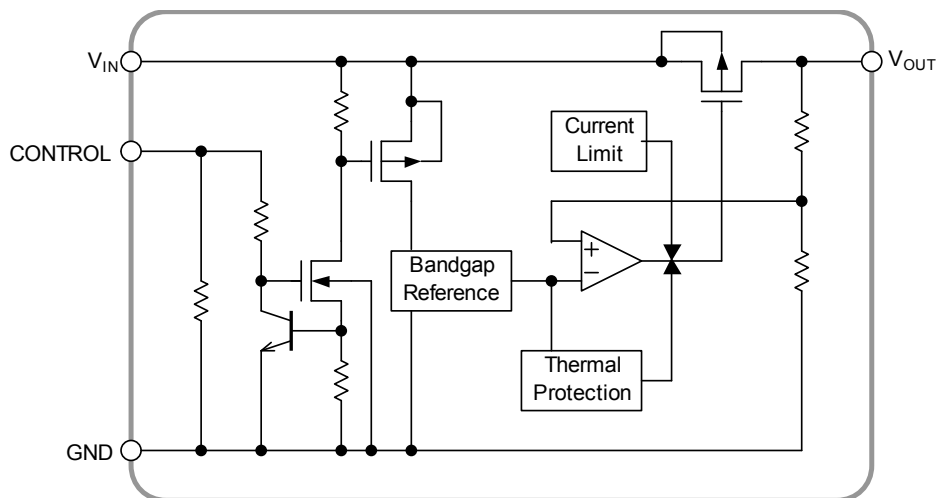


NJW4187DL1-B

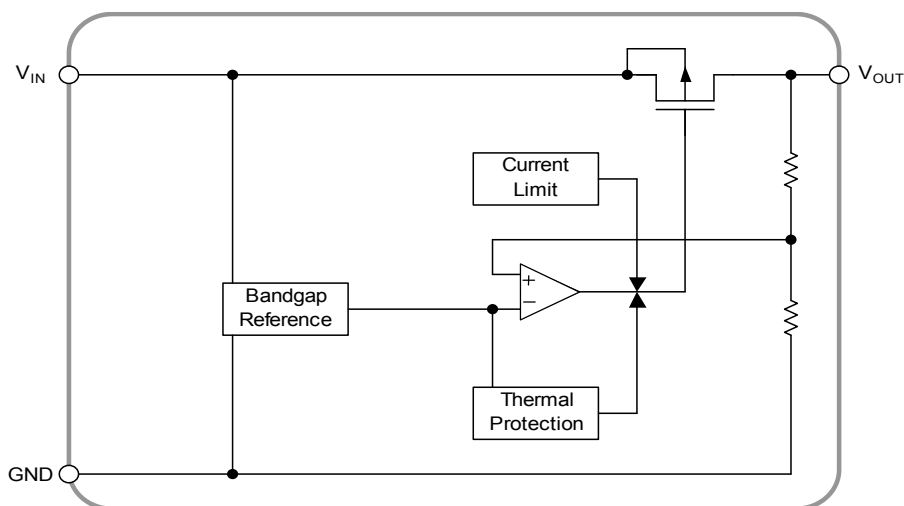
NJW4187



A



B



A

NJW4187DL3-33A	3.3V
NJW4187DL3-05A	5.0V

B

NJW4187DL1-33B	3.3V
NJW4187DL1-05B	5.0V

(Ta=25°C)

	V_{IN}	-0.3 to +45	V
(*1)	V_{CONT}	-0.3 to +45	V
	V_{OUT}	-0.3 to $V_{IN} \leq 17$	V
	P_D	1190 (*2) 3125 (*3)	mW
	T_j	-40 to +150	°C
	T_{opr}	-40 to +125	°C
	T_{stg}	-40 to +150	°C

(*1): A

(*2): 76.2× 114.3× 1.6mm(2 FR-4) EIA/JEDEC

100mm²

(*3): 76.2× 114.3× 1.6mm(4 FR-4) EIA/JEDEC

4 74.2× 74.2mm JEDEC JESD51-5

$V_{IN}=4.0V$ to 40V

$V_{IN}=V_O+1V$, $C_{IN}=1.0\mu F$, $C_O=4.7\mu F(3V \leq V_O < 3.4V: C_O=10\mu F)$, $T_a=25^\circ C$

	V_O	$I_O = 200mA$	-1.0%	-	+1.0%	V		
	I_Q	A, $I_O = 0mA$, I_{CONT}	-	55	90	μA		
		B, $I_O = 0mA$	-	48	83			
OFF	(*4)	$I_{Q(OFF)}$	$V_{CONT} = 0V$		-	1	μA	
		I_O	$V_O \times 0.9$	1000	-	-	mA	
		$\Delta V_O / \Delta V_{IN}$	$V_{IN} = V_O + 1V$ to 40V, $I_O = 200mA$		-	-	0.03	% / V
		$\Delta V_O / \Delta I_O$	$I_O = 0$ to 1000mA		-	-	0.004	% / mA
	RR	$V_{IN} = V_O + 1V$, $e_{in} = 200mV_{rms}$, $f = 1kHz$, $I_O = 10mA$	$V_O = 3.3V$	-	58	-	dB	
			$V_O = 5.0V$	-	54	-		
	(*5)	ΔV_{IO}	$I_O = 600mA$		-	0.27	0.42	V
		$\Delta V_O / \Delta T_a$	$T_a = 0$ to 85°C, $I_O = 200mA$		-	±50	-	ppm/°C
	(*4)	I_{CONT}	$V_{CONT} = 1.6V$		-	1	3	μA
ON	(*4)	$V_{CONT(ON)}$			1.6	-	-	V
OFF	(*4)	$V_{CONT(OFF)}$			-	-	0.6	V

(*4): A

(*5) $V_{OUT} = 3.8V$

*

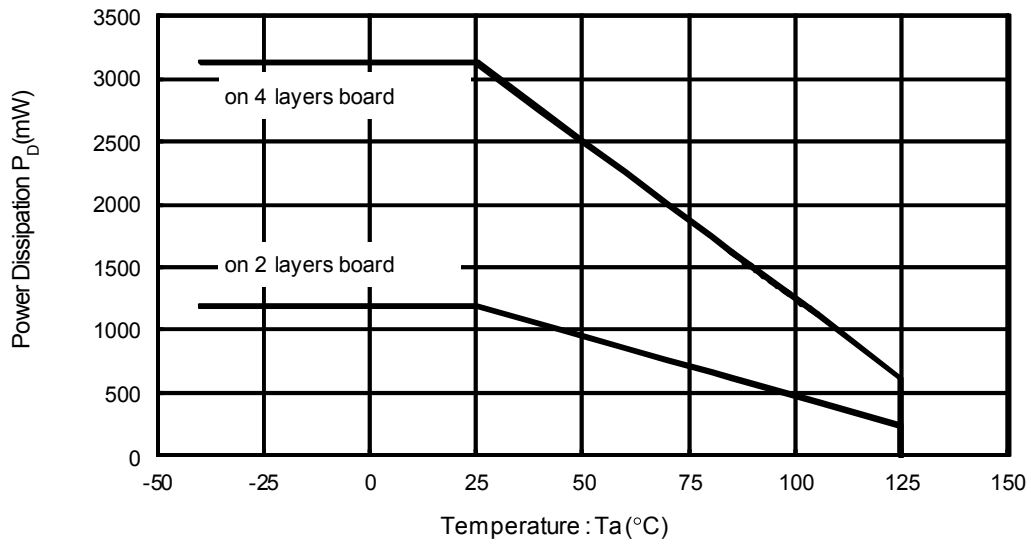
NJW4187

	θ_{ja}	105(*6) 40(*7)	°C/W
	ψ_{jt}	17(*6) 12(*7)	°C/W

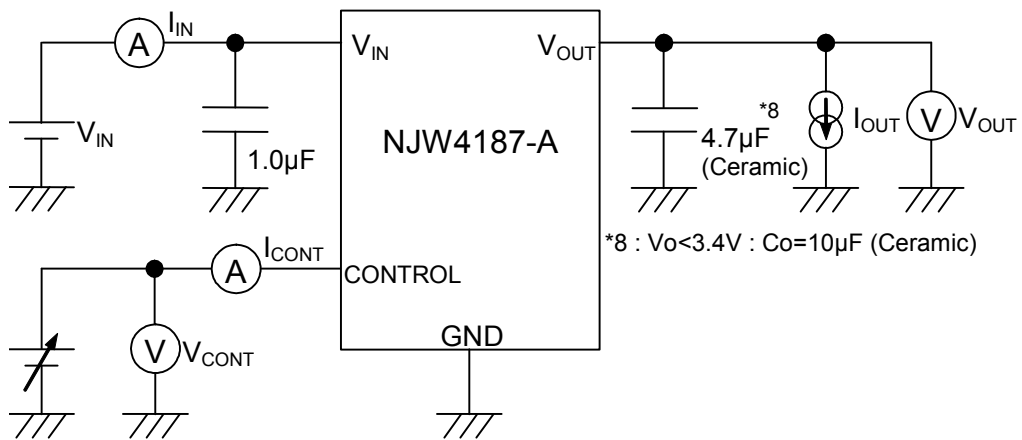
(*6): 76.2× 114.3× 1.6mm(2 FR-4) EIA/JEDEC
 (*7): 76.2× 114.3× 1.6mm(4 FR-4) EIA/JEDEC
 4 74.2× 74.2mm JEDEC JESD51-5

100mm²

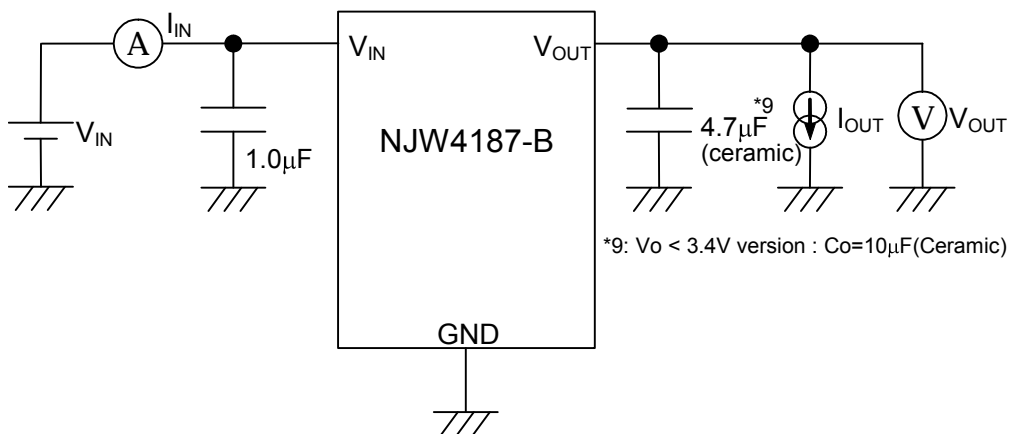
NJW4187DL1/DL3 PowerDissipation
 (Topr=-40~+125°C, Tj=150°C)



A

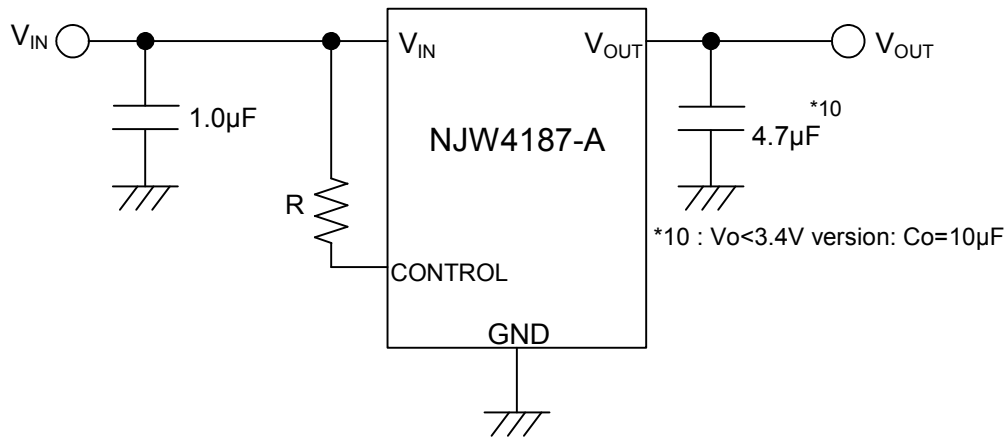


B



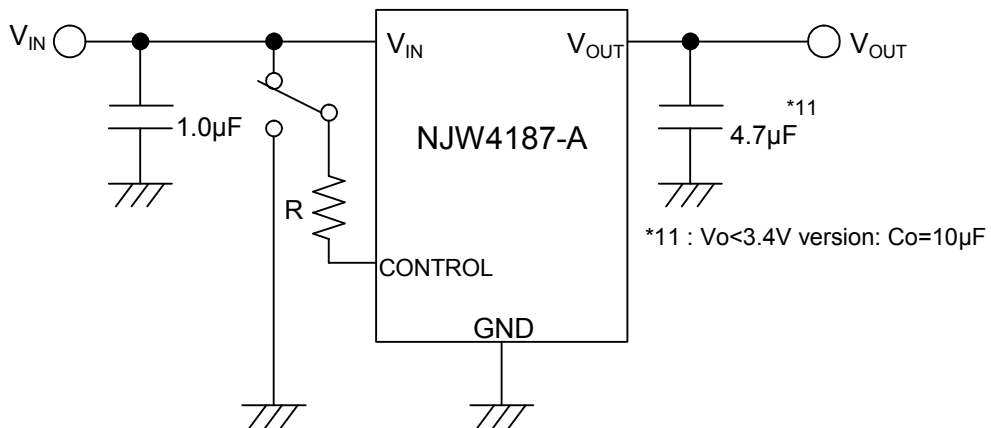
NJW4187

ON/OFF



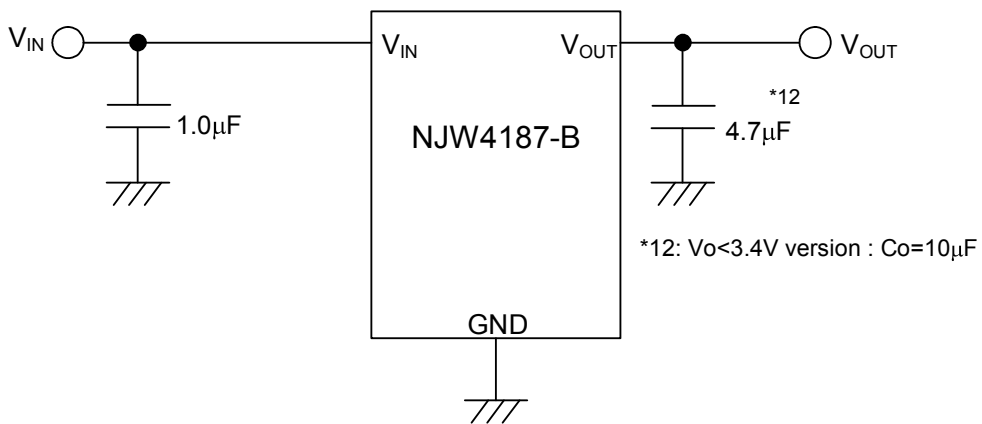
CONTROL V_{IN}

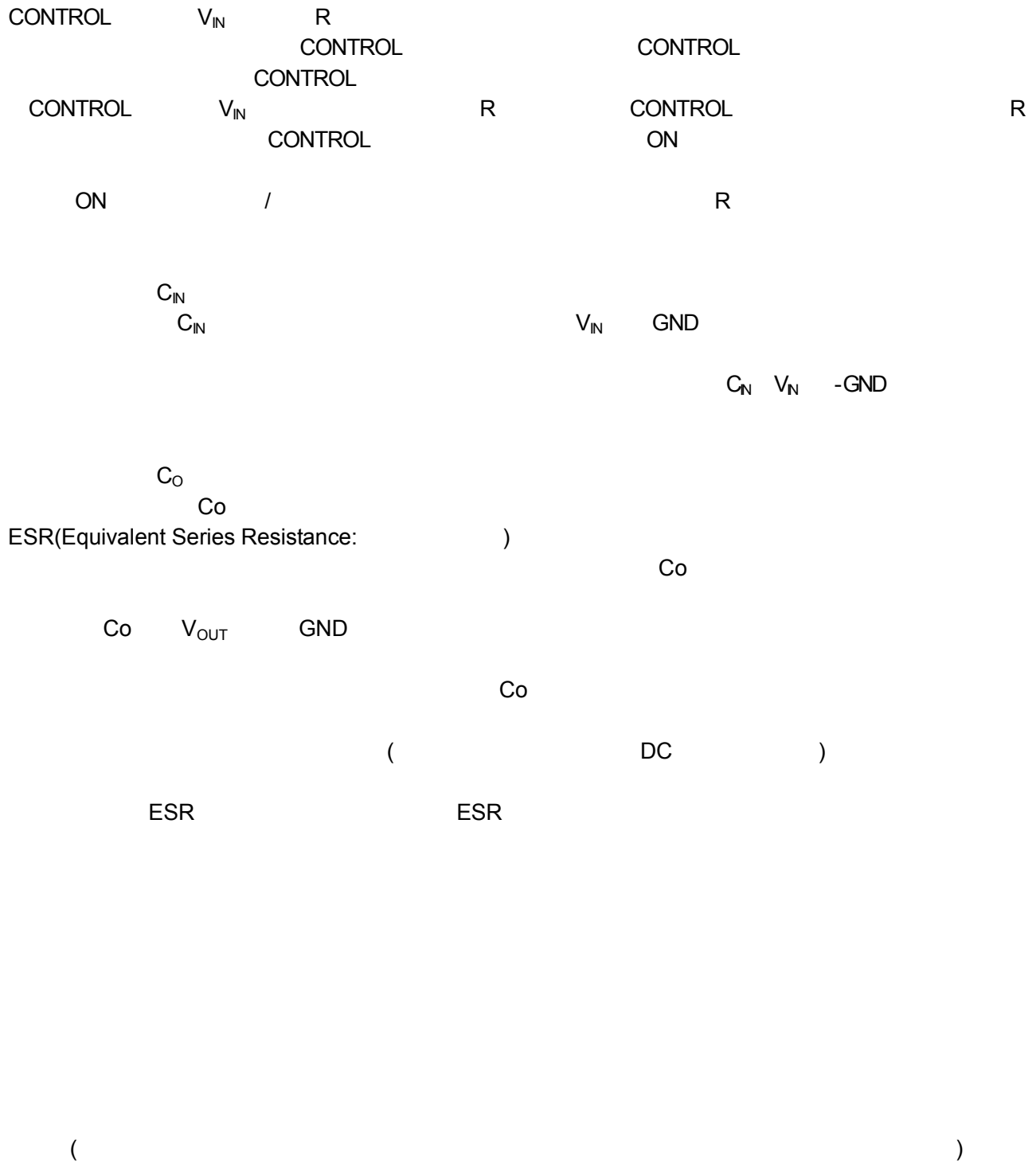
ON/OFF



CONTROL H ON GND OFF

B





NJW4187

IC

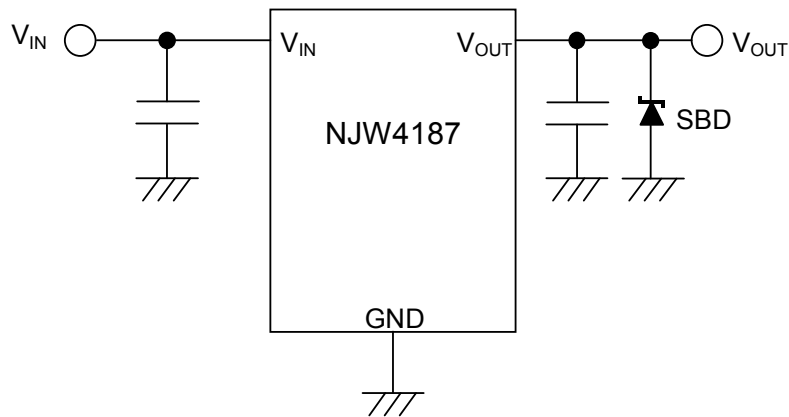
(8V

)

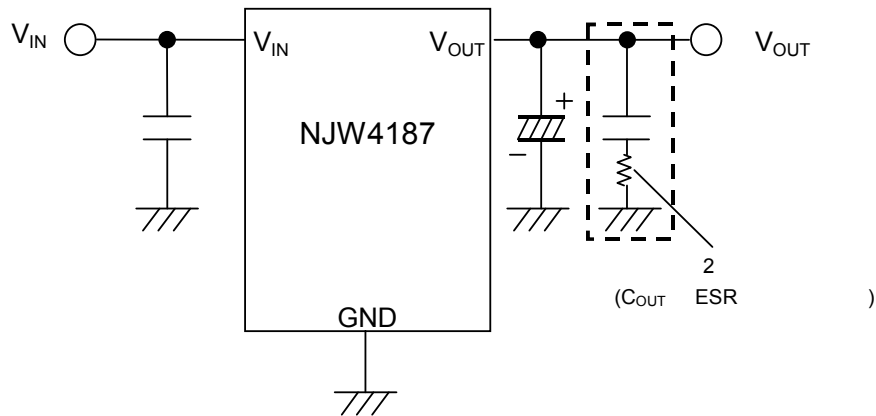
IC V_{OUT}

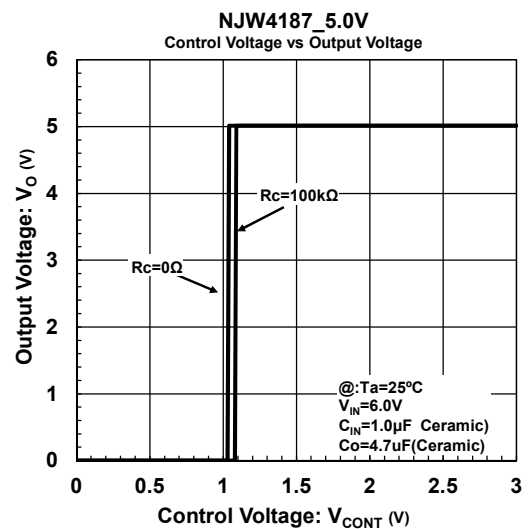
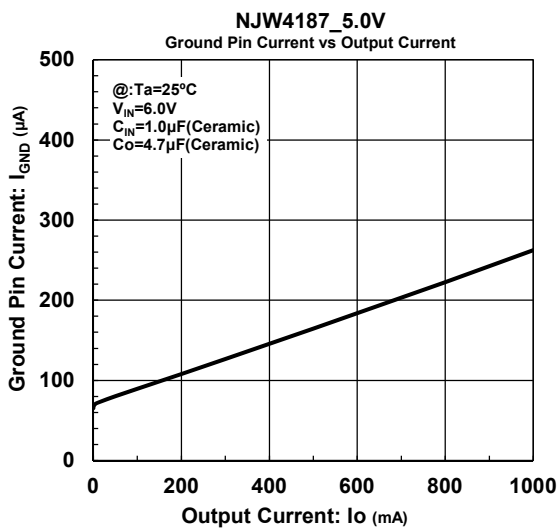
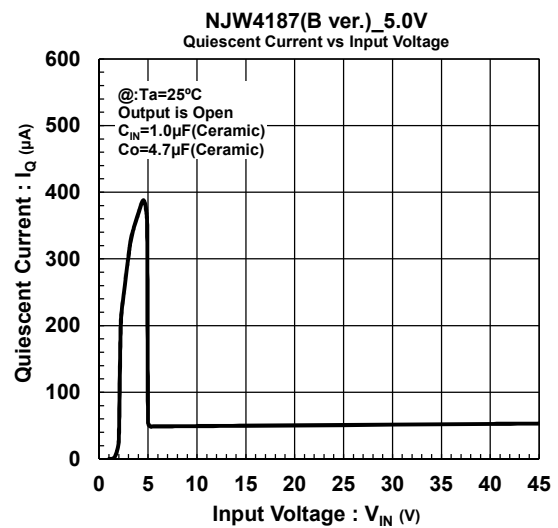
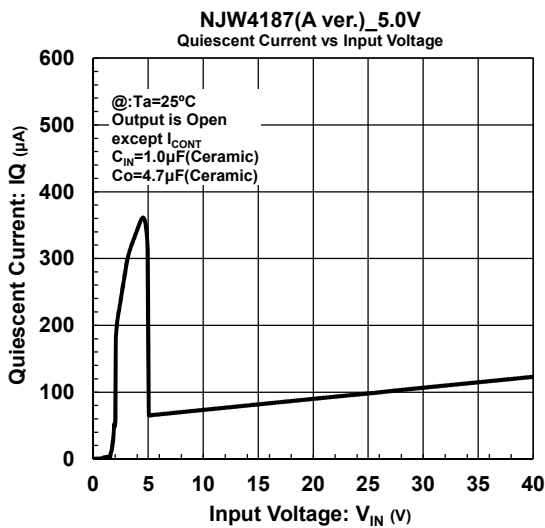
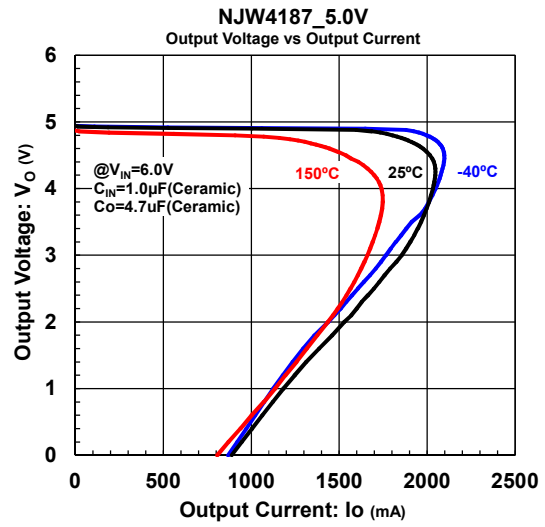
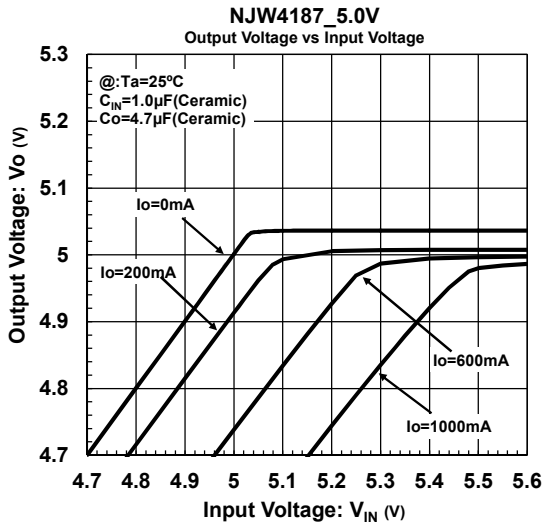
ESR 2

(a) -GND



(b)





NJW4187

