

X-Band Radar Front End

■ GENERAL DESCRIPTION

NJT1968BS is designed for the front end of marine radar system.

It features a small size and a light weight operable at any frequency between 9.38GHz and 9.44GHz.

This front end module consists of PIN diode Limiter, GaAs FET low noise amplifier, Image rejection mixer, Local VCO with buffer amplifier.

The stability of the local VCO frequency by the input RF power is increased effectively by the buffer amplifier which is located between image rejection mixer and local VCO.



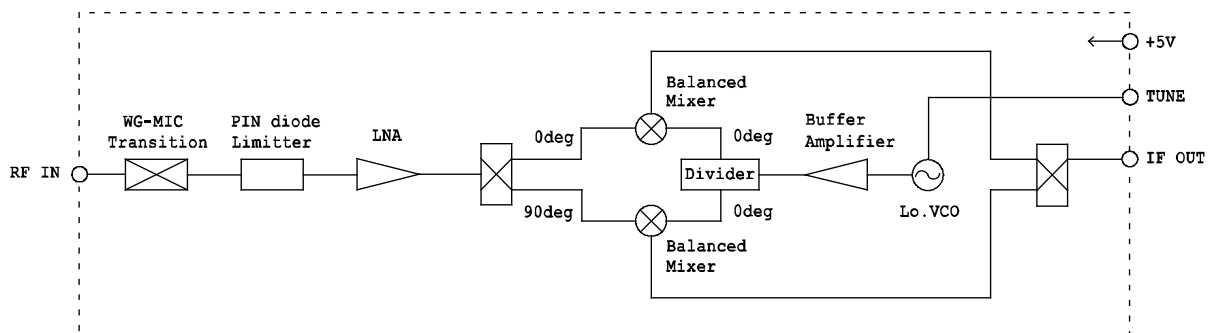
■ ELECTRICAL CHARACTERISTICS < at 25 °C >

PARAMETERS	Min	Typical	Max	Units
Operating voltage	4.8	5.0	5.2	V
Operating current	-	90	120	mA
Tuning voltage (Note1)	10.5	12.0	13.5	V
Local frequency	VT= 4V	-	9.41	GHz
	VT=24V	9.53	-	GHz
Noise figure	-	-	7.5	dB
Conversion gain	-7.0	-	-	dB
1dB Gain compression point (RF Port)	-8.0	-5.0	-	dBm
RF repetitive pulse burnout (Note2)	-	-	800	W

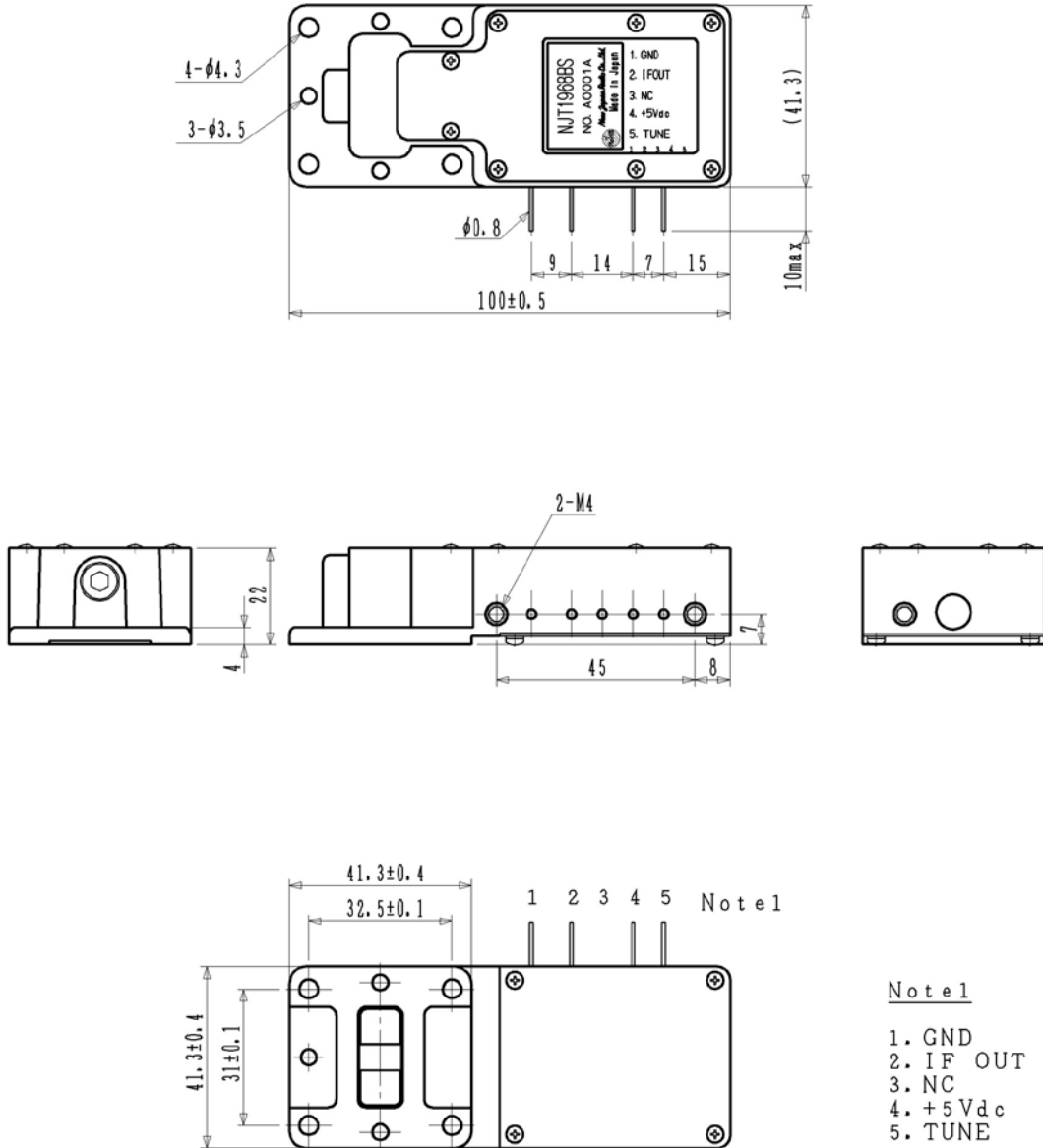
Note1: fLO=9.47GHz

Note2: fRF=9.41GHz, Pd=1μS, Duty=0.001

■ BLOCK DIAGRAM



■ OUTLINE



(Dimensions are expressed in "mm".)

*Note : The contents of this sheet are subject to change without notice.