

X-Band Diode Limiter

■ GENERAL DESCRIPTION

NJS6930 is designed for the high power limiter of radar system.

It features a small size operable at any frequency between 9.30GHz and 9.50GHz.

This diode limiter consists of the two stage self-biased limiter diodes, and no external trigger and no bias are required.



■ MAXIMUM AND MINIMUM RATINGS

PARAMETERS	Min.	Max.	Units
Maximum handling power (Fig.1)		8	kW
Continuous handling power (Fig.1)		4	kW
Ambient temperature	-30	+90	°C
RF pulse width (Fig.2)	-	-	μs

■ ELECTRICAL CHARACTERISTICS < at 25 °C >

PARAMETERS	Min.	Max.	Units
V.S.W.R. (Note 1)	-	1.5	-
Insertion loss (Note 1,3)		1.5	dB
Flat leakage power (Note 2,3)		150	mW
Spike leakage power (Note 2,3)		600	mW
Recovery time (Note 2,3)		0.5	μs

Note 1: Measured at power level 0.1mW CW.

Note 2: Measured at power level 3kW, 1.0usec pulse width and 1000pps.

Note 3: Measured at frequency 9.40GHz.

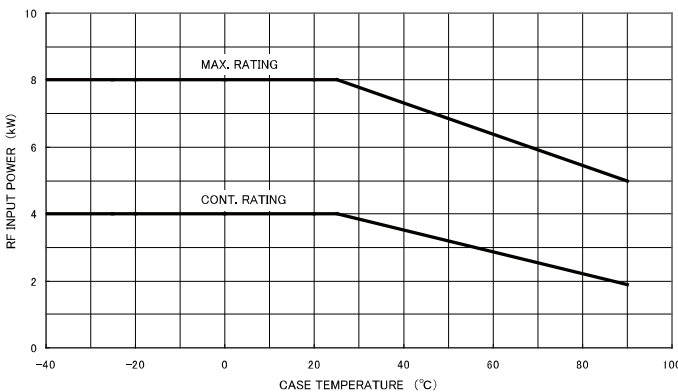


Fig.1 RF INPUT POWER MAXIMUM AND CONTINUOUS RATING (tp=1 μs)

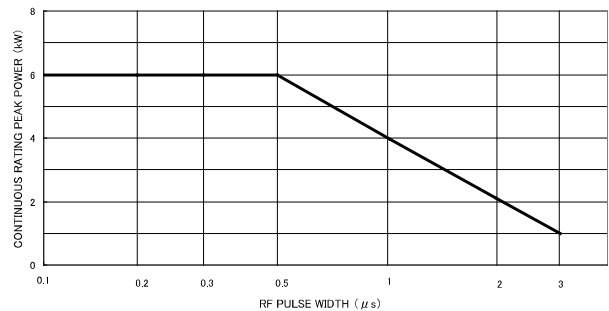
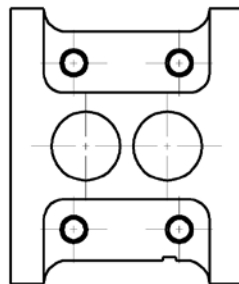
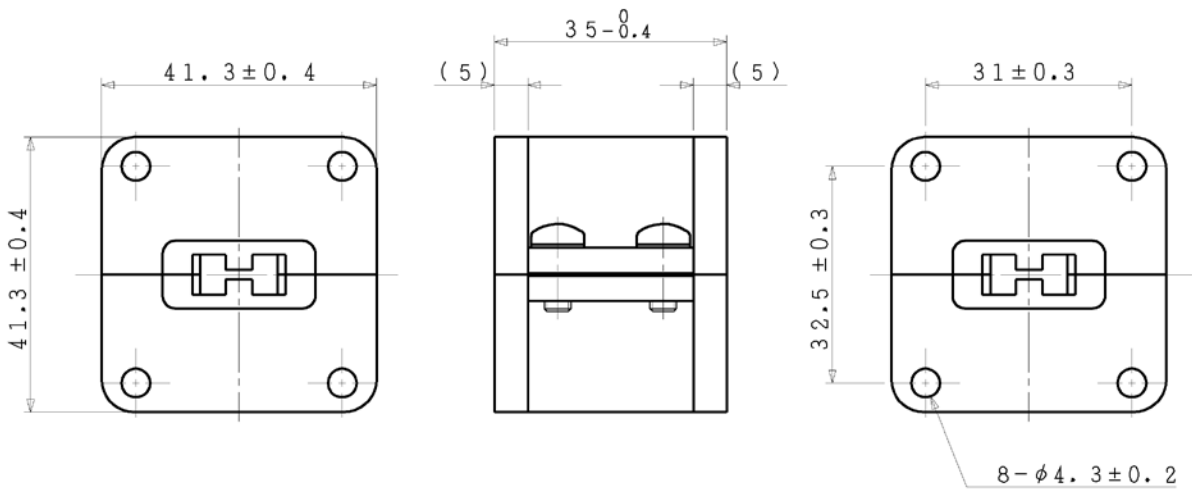
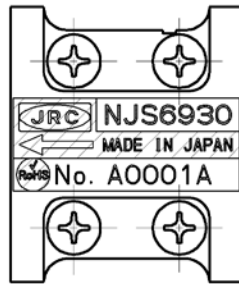


Fig.2 PULSE WIDTH DEPENDENCE OF CONTINUOUS RATING (at 25°C)

■ OUTLINE



(Dimensions are expressed in "mm".)

*Note : The contents of this sheet are subject to change without notice.