

Date	Business Development, Microwave Division New Japan Radio Co., Ltd.
Aug. 3, 2018	

CS

Approved:	Takeshi NISHIMURA
Checked:	Teruaki NAKAYAMA
Originator:	Masahiro ICHIKAWA

Electron Gun

Model No. NJK2211

Copyright© 2018
New Japan Radio Co., Ltd.
Microwave Division

-Notice of Proprietary Information-

This document and its contents are proprietary to New Japan Radio Co., Ltd.
This publication and its contents may not be reproduced or distributed for any other purpose
without the written permission of New Japan Radio Co., Ltd.
Those specifications listed in this document are subject to change at any time, without notice.

New Japan Radio Co., Ltd. Microwave Division	Title: Preliminary Datasheet of NJK2211		
	Reference No.: PDS-NJK2211	Rev.: 00-03E	Sheet: 1/2

■ GENERAL DESCRIPTION

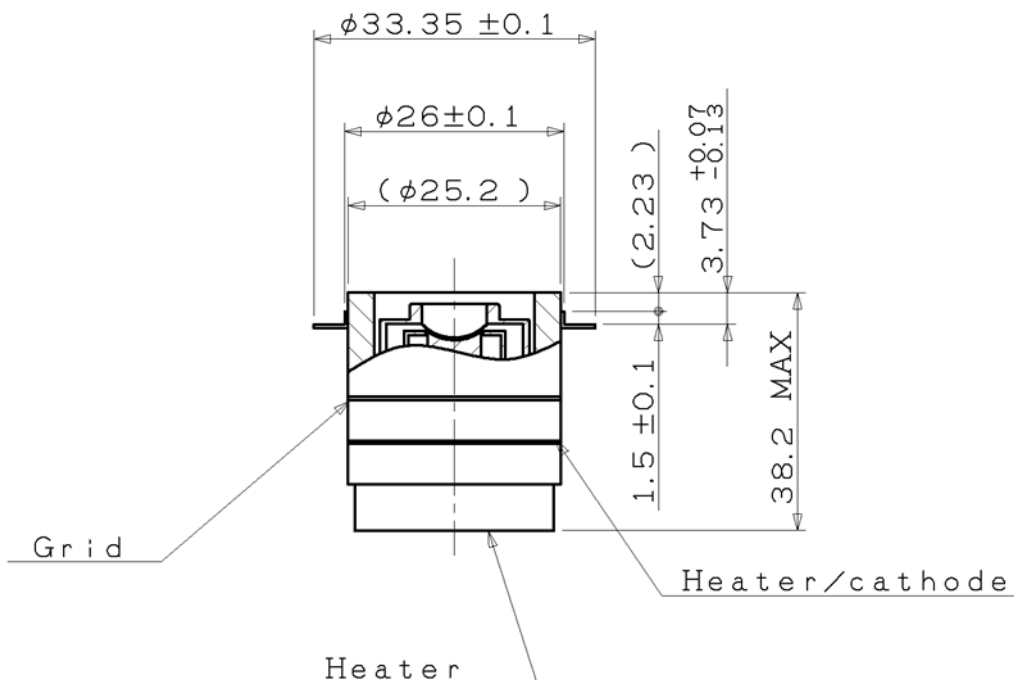
NJK2211 is an electron gun includes the Ir coated dispenser cathode and indirect type heater for getting electron emission. This electron gun is also preparing a grid electrode.

■ CATHODE SPECIFICATIONS

Cathode type: Ir coated dispenser cathode
 Cathode diameter: 6.3 mm / Area: 0.32 cm²
 Current density: 10 A/cm²
 Heater voltage: 6.3 V
 Heater current: 2.0 A (maximum)
 Half angle: 34°



■ OUTLINE



(Dimensions are expressed in "mm".)

* Above Specifications are subject to change without notice.