

## High Current Density Small Dispenser Cathode

### ---- Features ----

- Stable emission: Cathode current 170mA (Dk=10A/Square Centimeters) at Cathode temperature 1050 degree centigrade brightness.
- Long life: Stable operation more than 10000 hours with more than 95% of original cathode current.
- Stable operation after exposed to the air repeatably.
- Improved to suppress excessive Ba evaporation.

### ---- Applications ----

- High brightness and high resolution display cathode ray tube (CRT).
- Electronic heating
- Other special purpose tubes.

### ---- Specification ----

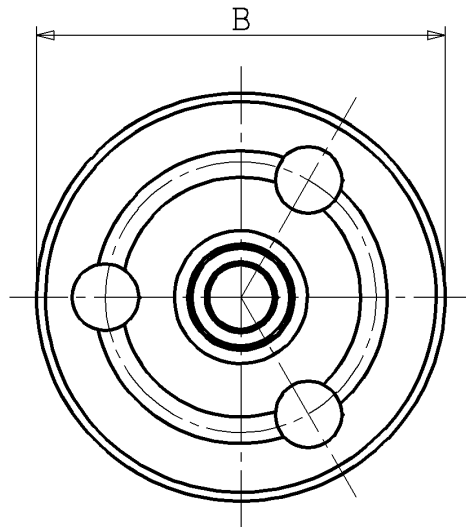
Item	Min	Max	Unit	Test condition
Cathode current (Ik)	170 (Note 1)	-	mA	Tk=1050 degree centigrade
Cathode current density (Dk)	10 (Note 1)	-	A/square centimeters	
Heater resistance (R)	3.8	4.1	ohm	25 degree centigrade
Heater current (If)	285	315	mA	Tk=1050 degree centigrade
Cathode temperature (Tk)	1020	1060	degree centigrade	Ef=6.3V
Leak current between cathode and heater(Ihk)	-	20	uA	Ef=6.3V Ehk=+200/-200V

Note 1.; These values may be changed by assembling structure of electron gun anode.

Note 2.; This product is an export control article provided in “foreign exchange and foreign trade law” of Japan. When exporting of product, please comply with the domestic laws.

# NJK1120A

## OUTLINE



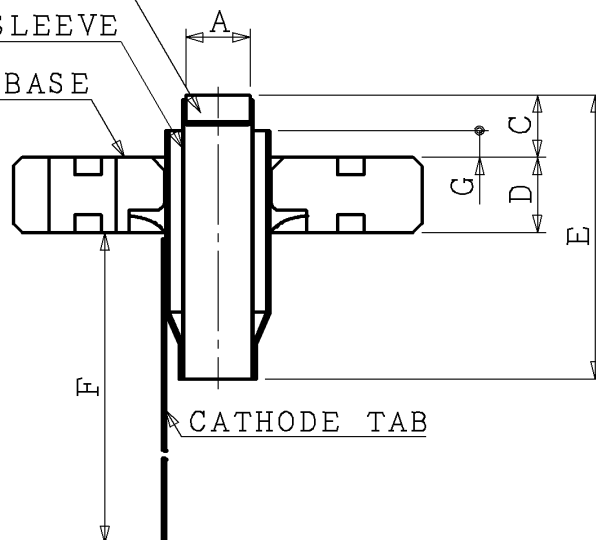
DEMENSIONS Unit : mm

A	$\phi 1.45$
B	$\phi 9.2$
C	1.4
D	1.7
E	6.4
F	15
G	0.7 max

BARIUM  
DISPENSER CATHODE

CATHODE SLEEVE

CATHODE BASE



CATHODE TAB