



New Japan Radio Co., Ltd.

Technical Information

Rev.3

Tri-function Filter *NJC9952*

NJC9952 is a waveguide type tri-function filter, designed for X-band Marine Radar.

NJC9952 attenuate the lower side of the main lobe emission, pi -1 mode emission, and second harmonics emission from the magnetrons. This product is adapted on RoHS directive.

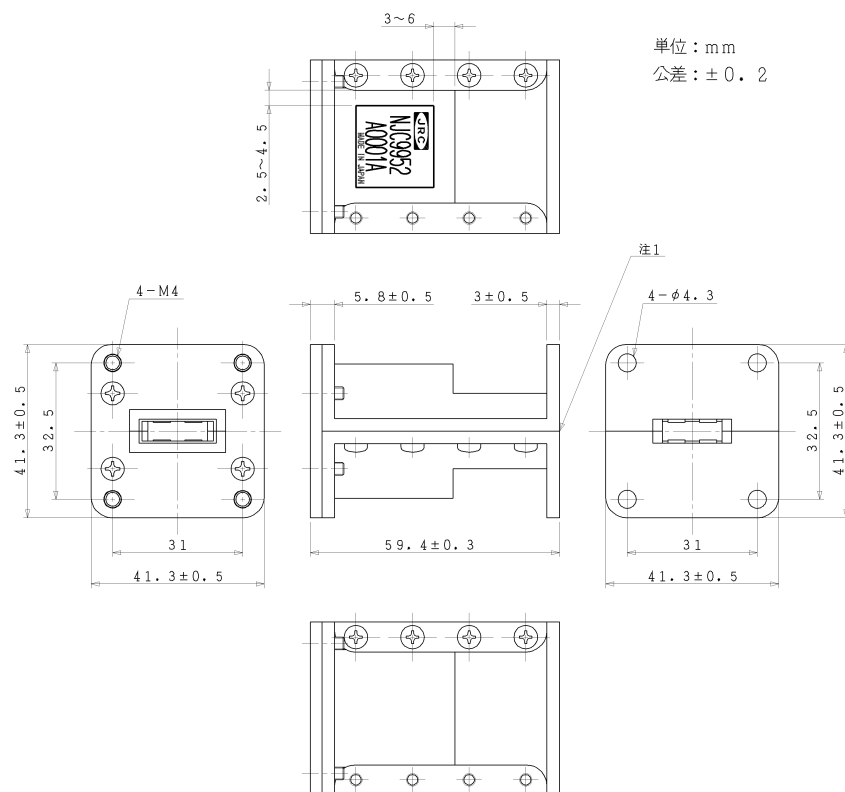
ABSOLUTE MAXIMUM RATINGS

Input Power	30 kW
RF Pulse width	1.3 μ s

ELECTRICAL CHARACTERISTICS (Condition : Input signal 0.1mW CW)

Items	Frequency	Minimum	Maximum	Unit
VSWR	f=9.4GHz	-	1.5	-
Insertion Loss	f=8.8GHz	5	-	dB
	f=9.1GHz	10	-	dB
	f=9.4GHz	-	0.6	dB
	f=9.8GHz	7	-	dB
	f=10.6GHz	30	-	dB
	f=10.8GHz	25	-	dB
	f=18.8GHz	30	-	dB

OUTLINE (Unit : mm)



1-1, Fukuoka 2-chome, Fujimino-city
Saitama prefecture. 356-8510 Japan

Phone: 049-278-1297
Fax : 049-278-1419