

Date

May 29, 2018

**Released**

# Dummy Load

## Model No. NJC4002

**Copyright© 2018**  
**New Japan Radio Co., Ltd.**  
**Microwave Division**

-Notice of Proprietary Information-

This document and its contents are proprietary to New Japan Radio Co., Ltd.  
This publication and its contents may not be reproduced or distributed for any other purpose  
without the written permission of New Japan Radio Co., Ltd.  
Those specifications listed in this document are subject to change at any time, without notice.

New Japan Radio Co., Ltd.  
Microwave Division

Title:

Datasheet of NJC4002

Reference No.:  
DS-C4002

Rev.:  
03E

Sheet:  
1/3

## ■ GENERAL DESCRIPTION

NJC4002 is a waveguide type dummy load, designed for X band Marine Radar.

It loads the higher return loss at the broad band.



## ■ ABSOLUTE MAXIMUM RATINGS

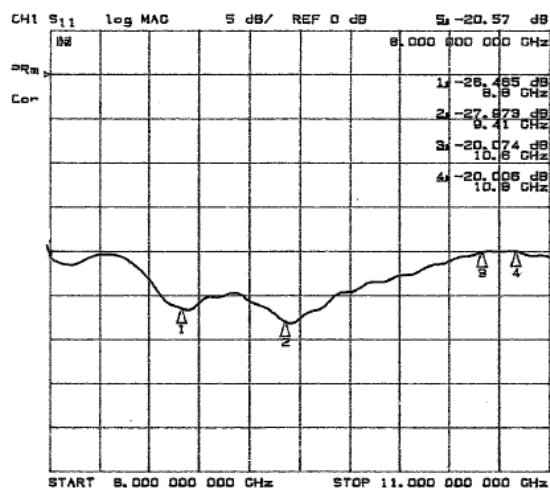
| PARAMETERS                |         | Minimum | Maximum | Units |
|---------------------------|---------|---------|---------|-------|
| Continuous handling power | Peak    | -       | 30      | kW    |
|                           | Average | -       | 30      | W     |
| Pulse width               |         | -       | 1.3     | μs    |
| Storage temperature       |         | -40     | +100    | °C    |
| Operating temperature     |         | -30     | +85     | °C    |
| Humidity                  |         | -       | 90      | %     |

## ■ ELECTRICAL CHARACTERISTICS

| PARAMETERS             |  | Minimum                         | Maximum | Units |
|------------------------|--|---------------------------------|---------|-------|
| Frequency range        |  | 8.5                             | 10.8    | GHz   |
| V.S.W.R. (Condition 1) |  | -                               | 1.5     | -     |
| Input coupling         |  | UG-39/U Flange (WR90 Waveguide) |         |       |

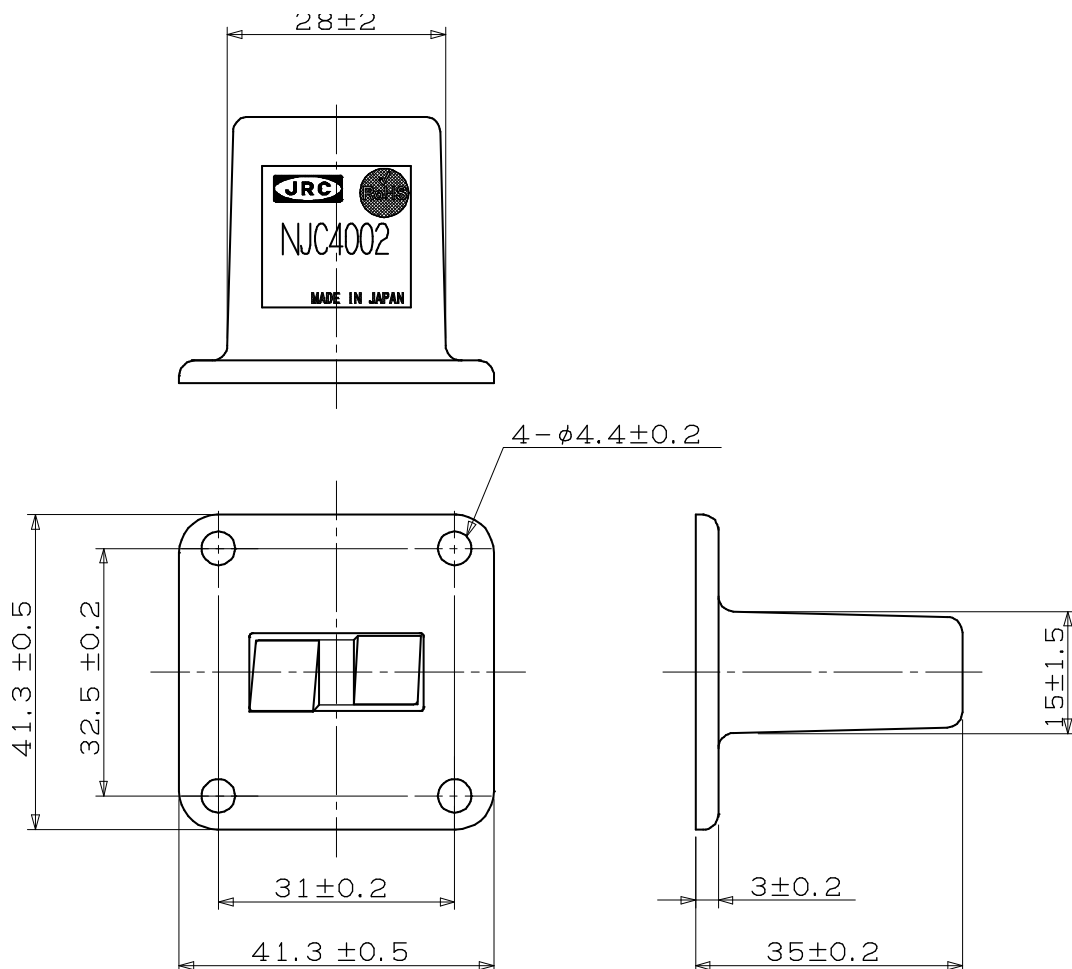
Condition 1: Measured at power level 0.1mW CW.

### PARAMETER TEST DATA



\* Above Specifications are subject to change without notice.

## ■ OUTLINE



(Dimensions are expressed in "mm".)

\* Above Specifications are subject to change without notice.

