

MAF1452B

X-Band Magnetron

MAF1452B is designed for the magnetron of x-band radar system. The frequency range is fixed <9380 - 9440MHz> and the peak output power is 1.8kW.

---- MAXIMUM RATINGS ----

	Min	Max	Unit
Peakanodecurrent	1.5	2.2	A
Averageanodepowerinput	-	10	W
Dutycycle	-	0.001	-
Pulseduration	0.05	1.0	µs
Rateofriseofvoltagepulse	-	55	kV/µs
Anodetemperature	-	100	°C
V.S.W.R.attheoutputcoupler	-	1.5:1	-

---- ELECTRICAL ----

	Min	Typical	Max	Unit
Heatervoltage	5.7	6.3	6.9	V
Heatercurrent(Note1)	-	-	-	A
Preheattime	60	-	-	S
Peakanodevoltage(Note2)	2.7	2.9	3	kV
Peakoutputpower(Note2)	1.5	1.8	-	kW
Frequency(Note2)	9380	9410	9440	MHz

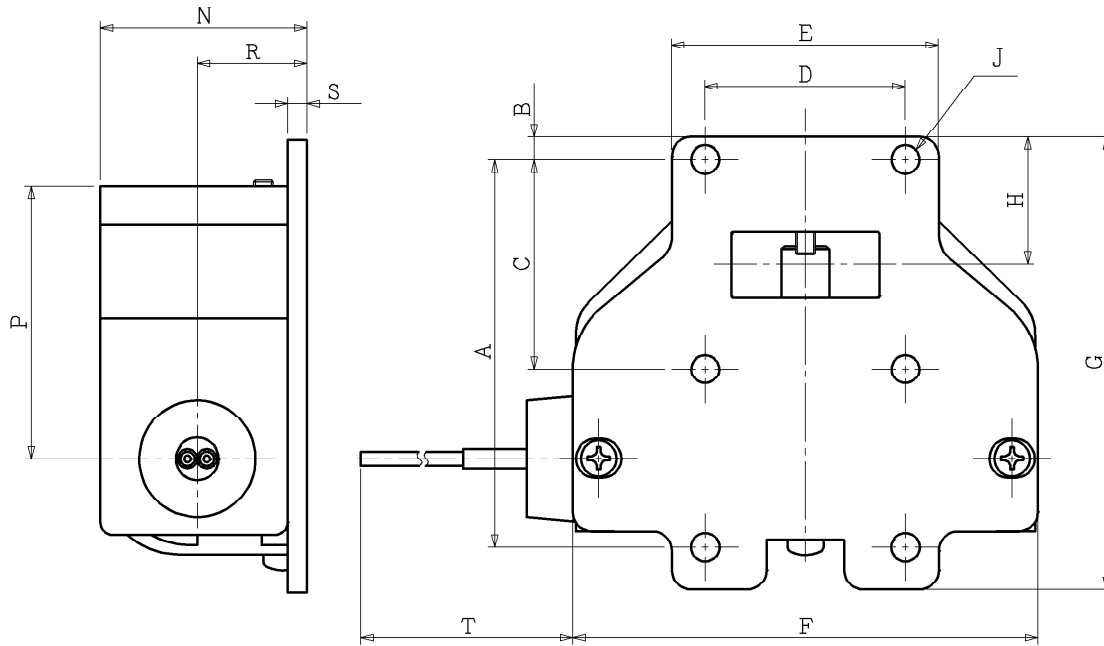
Notes:

1. Measured with heater voltage of 6.3V and no anode input power, the heater current limits are 0.5A minimum, 0.6A maximum. No reduction of heater voltage at operating is required.
2. Measured at peak anode current 2.0A.

MAF 1452B

OUTLINE

Note: Dimensions are in mm



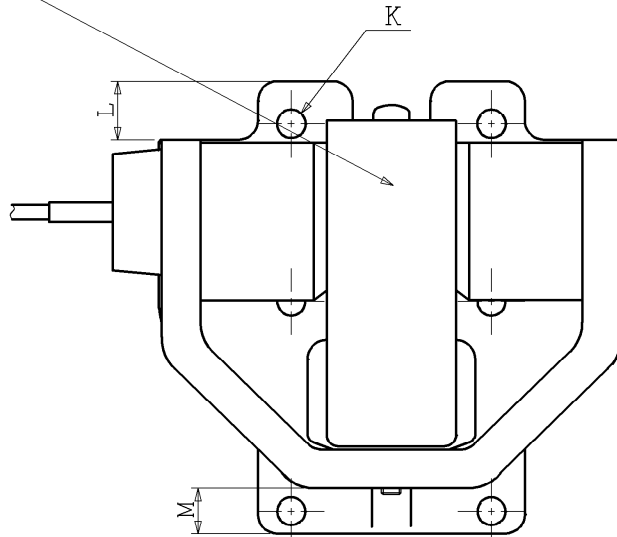
Anode temperature measured at this point

DEMONSTRATIONS Unit: mm

A	60±0.2	K	2-φ4.4±0.1
B	3.75	L	9
C	32.5±0.1	M	7
D	31±0.1	N	33MAX
E	41.3	P	43
F	72	R	17
G	70	S	3
H	20	T	185±10
J	4-φ4.32±0.08		

Lead Connections

Colour	Element
Green	Heater
Yellow	Heater, Cathode



Top view